



AQUA ALTO

Hydration in colour.

Innovative design, cutting-edge technology, and premium aesthetics.

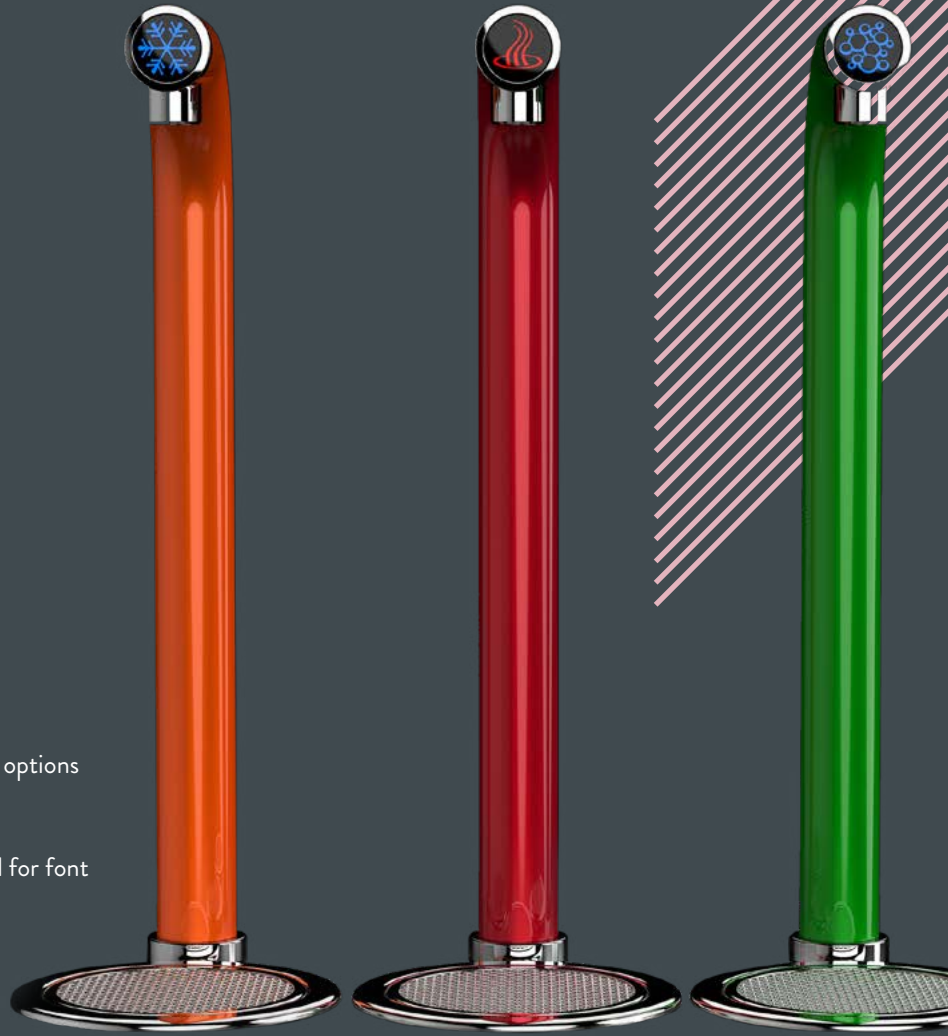
The highest performing tap on the market today.



THE POWER OF THREE.

Three taps and one base unit to reduce queues.

- Multiple taps can be used on one system to reduce queues
- Sleek design available in any colour
- Patented boiler design gives high volumes of boiling water
- Installed in modular form to fit into the tightest of spaces
- Perfect water flow with zero splash
- Plumbed-to-waste flush-fitting drip tray
- Preset fill volumes for any vessel and free flow options available
- Designed to fill water bottles without the need for font extension
- Equality Act compliant controls available



CHOOSE ANY RAL COLOUR



CAPACITY

BOILING

PER HOUR

High

up to **45** litres or **180** cups

Ultra high

up to **90** litres or **180** flask/tea pots



CHILLED / SPARKLING / AMBIENT

PER HOUR

up to **45** litres or **180** glasses

60+ litres or **240+** glasses

*Based on the following measurements: 1 cup/glass = 250ml & 1 flask/tea pot = 500ml

TALK TO US

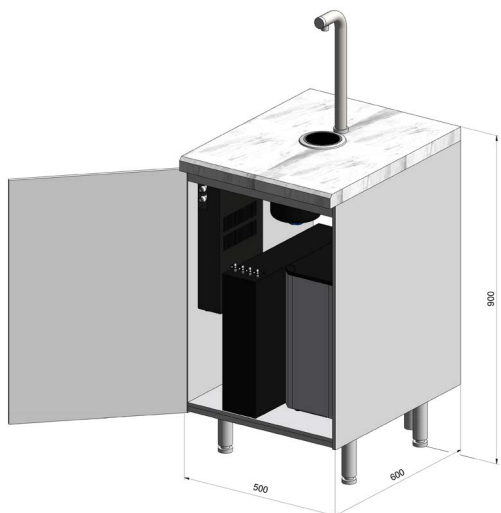
London showroom: 1 New Street, London, EC2M 4TP

www.aqualibra.com | 0800 080 6696 | sales@aqualibra.com

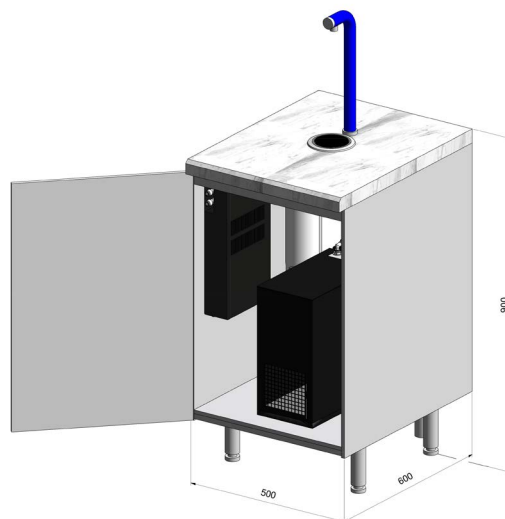
DIMENSIONS.

Under-counter units and dispensers.

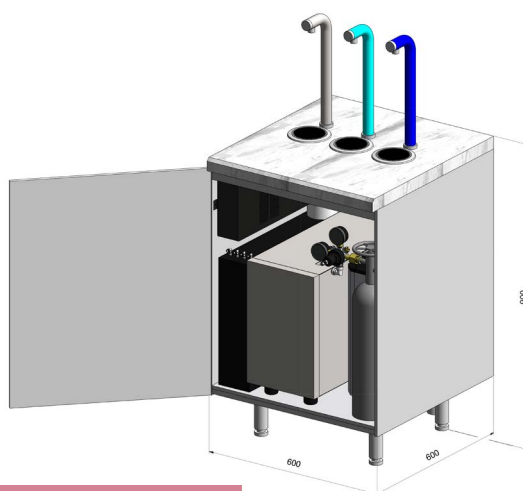
B - boiling, C - chilled, S - sparkling, A - ambient



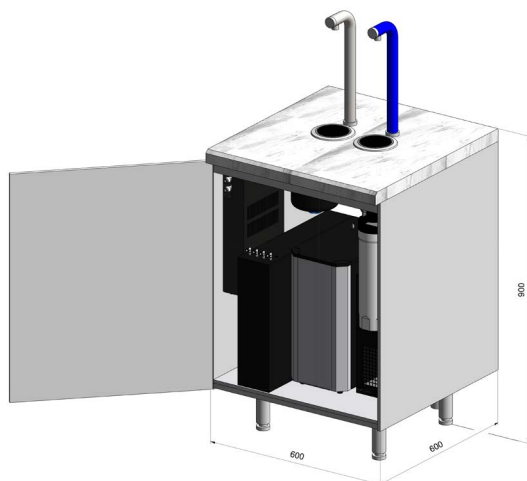
AQUA ALTO B



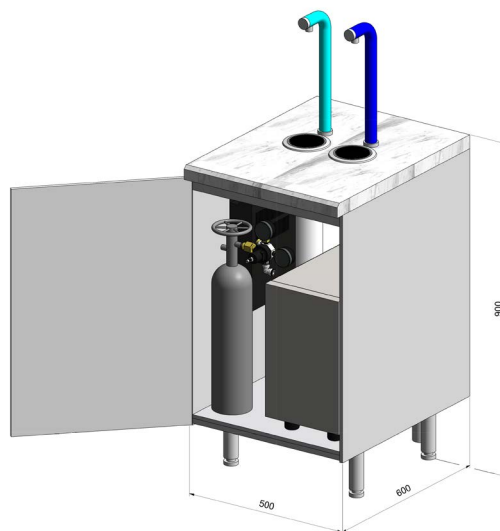
AQUA ALTO CS



AQUA ALTO BCS



AQUA ALTO BC



AQUA ALTO CS

PRE-INSTALLATION SERVICE REQUIREMENTS.

1

WATER.

No. 1 x Potable cold mains water supply terminating in a 15mm Ballofix isolation valve.

Minimum water pressure required:
2.5 BAR.

Minimum water flow rate required:
300 L.P.H.

Please Note: The site cold mains water supply must be microbiologically safe.

2

POWER.

No. 3 x 220 - 240V ac 50Hz single switched 13A power sockets.

AQUA ALTO CHILLED STILL & HOT:

Water System Power Load: (Peak Time):
8.0Amps – 1750 Watts.

3

WASTE.

No. 1 x 40mm upstand trapped waste supply.

VENTILATION:

The base cabinet that houses the water cooler requires adequate ventilation, the ambient air temperature inside the base cabinet should not exceed 32°C. No objects should be placed on or around the water cooler. Base cabinet ventilation options are available on request.

CO2 GAS:

(For Sparkling Systems Only) Food grade CO2 bottle type E290 is to be provided by the operator (2 kg, 6 kg or 10kg). The CO2 bottle must be located as far as possible from any heat sources. The CO2 gas bottle should be sited in an upright position and secured with a safety strap.